



INFORMATION SHEET  
**STAGE I TURBO UPGRADE KIT**  
 DODGE SRT-4  
 PART NUMBER P5007862

### Stage I Turbo Upgrade Kit Components

- (4) Fuel Injectors – 527cc/min\*
  - (1) Mopar Performance Powertrain Control Module (PCM)
- \* Static fuel flow rated at 59 psi.

### Stage I Turbo Upgrade Kit Feature Description

- **Increased WOT and part throttle boost.** To develop additional peak power and peak torque for the Stage I package, the boost was increased for wide-open throttle (WOT) conditions. The boost was also raised for part throttle conditions to enhance the driveability.
- **Improved turbo response.** The Stage I turbo wastegate control was retuned for better turbo response. Not only will the Stage I deliver more torque and power, it will also deliver it faster.
- **Boost hold feature during WOT shifts.** Keep the pedal to the metal, blip the clutch, and grab the next gear. Do it fast enough before the redline, and your reward will be a zero-lag, constant boost shift.
- **Enhanced first gear boost schedule.** The maximum boost in first gear is increased to deliver more torque and power to the road for a higher performance launch.
- **More aggressive exhaust note during deceleration.** More pops, snaps, and burbles during closed throttle decelerations and between shifts.
- **Optimized calibration for the Mopar Performance Blow-Off Valve.** (sold separately). The Stage I kit has improved the functionality and the audible performance of the integrated recirculation valve with the BOV conversion kit in mind. Available July, 2003.

Not legal for use on pollution-controlled vehicles, or vehicles registered for highway use.

### MOPAR PERFORMANCE PARTS WARRANTY

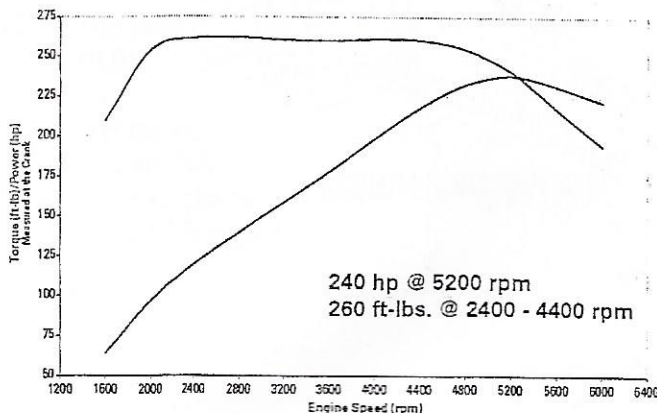
Mopar Performance parts are sold "as is," without any warranty whatsoever. Implied warranties, including warranties of merchantability or fitness for a particular purpose, are excluded. The entire risk as to quality and performance of such parts is with the buyer. Should such parts prove defective following their purchase, the buyer and not the manufacturer, distributor or retailer, assumes the entire cost of all necessary servicing or repair.

Chrysler, Dodge, and Jeep® vehicle and parts warranties are voided if the vehicle or parts are used for competition or if they fail as a result of modification.

### SPECIAL NOTE: P0633 Fault Code Explanation

It is normal for the Stage I kit to set the P0633 fault code. This code will not activate the MIL (Malfunction Indicator Light), but it will be displayed during a diagnostic check. The vehicle functionality or performance will not be affected as a result of this code.

### Stage I Turbo Upgrade Kit Performance





INSTALLATION INSTRUCTIONS  
**STAGE I TURBO UPGRADE KIT**  
DODGE SRT-4  
PART NUMBER P5007862

**Stage I Turbo Upgrade Kit Components**

- (4) Fuel Injectors – 527cc/min\*
- (1) Mopar Performance Powertrain Control Module (PCM)
- \* Static fuel flow rated at 58 psi.

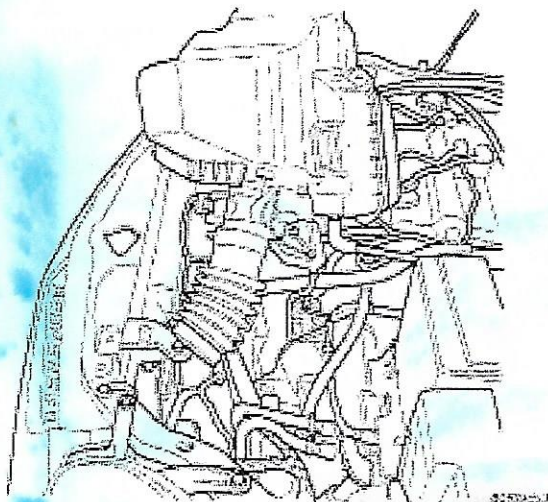
Not legal for use on pollution-controlled vehicles, or vehicles registered for highway use.

**i SPECIAL NOTE:**  
**P0633 Fault Code Explanation**

It is normal for the Stage I kit to set the P0633 fault code. This code will not activate the MIL (Malfunction Indicator Light), but it will be displayed during a diagnostic check. The vehicle functionality or performance will not be affected as a result of this code.

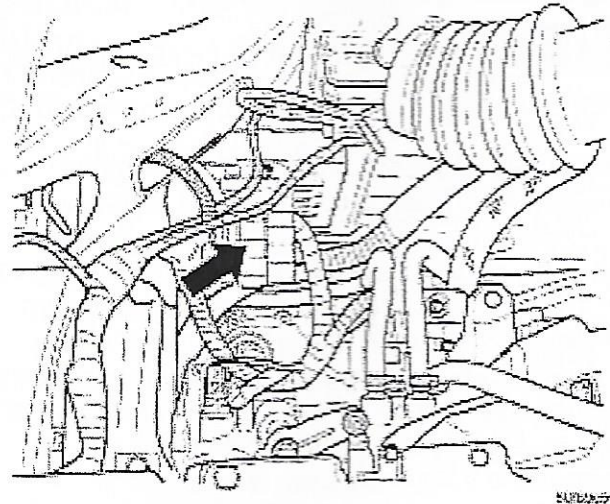
**POWERTRAIN CONTROL  
MODULE REMOVAL - 2.4L**

- (1) Disconnect the negative battery cable.
- (2) Remove and relocate the air cleaner box (Fig. 1). Refer to the Air Cleaner Housing removal on page 3.



**Fig. 1 AIR BOX RELOCATED**

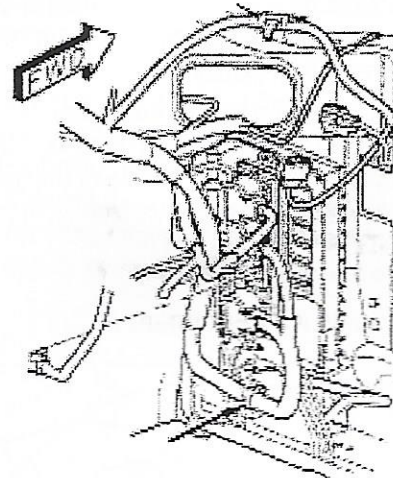
- (3) Unlock and disconnect the electrical connectors (Fig. 2) at the PCM.



**Fig. 2 CONNECTORS INSTALLED**

- 1 - Wiring Clip
- 2 - PCM

- (4) Remove the wiring harness clip (Fig. 3) from the PCM bracket.

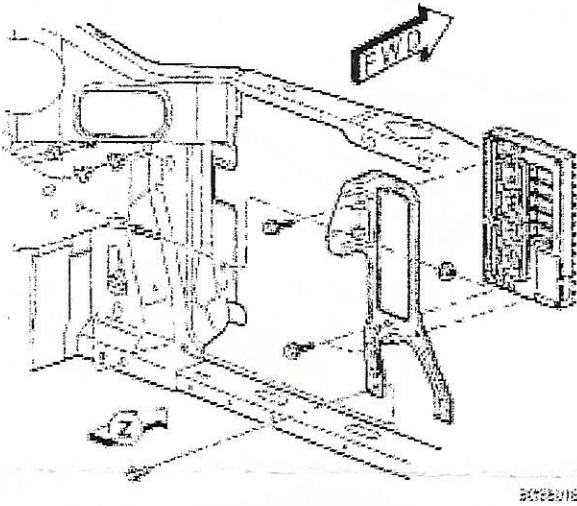


**Fig. 3 WIRING HARNESS**



INSTALLATION INSTRUCTIONS  
**STAGE I TURBO UPGRADE KIT**  
DODGE SRT-4  
PART NUMBER P5007862

- (5) Remove the mounting bolts from the bottom of the PCM bracket (Fig. 4).
- (6) Remove the nut.
- (7) Remove the assembly, PCM and bracket.
- (8) Remove PCM from bracket.



**Fig. 4 PCM AND BRACKET**

**INSTALLATION**

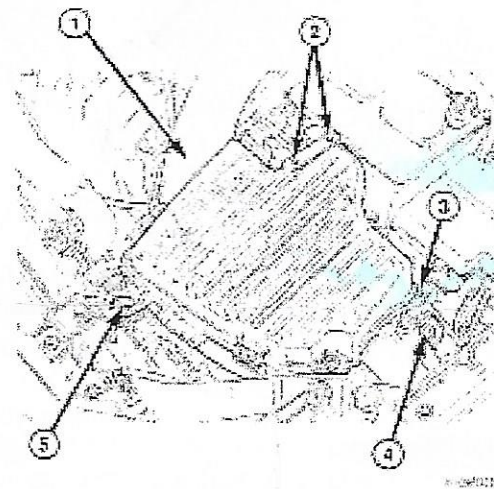
- (1) Install new PCM to bracket. Tighten three screws to 11.8N-m (105in-lbs.).
- (2) Install the assembly, PCM and bracket.
- (3) Loose install the mounting nut.
- (4) Install the mounting bolts to the bottom PCM bracket (Fig. 4).
- (5) Tighten the mounting nut and bolts to 10.7N-m (95in-lbs.).
- (6) Install the wiring harness clip (Fig. 3) PCM bracket.

**NOTE: The electrical connector for the PCM COLOR Coded.**

- (7) Connect the electrical connectors and lock (Fig.2) at the PCM.
- (8) Install the air cleaner box (Fig. 1). Refer to Air Cleaner Housing on this page for information.

**AIR CLEANER HOUSING REMOVAL**

- (1) Disconnect clean air hose from air cleaner housing (Fig. 5).
- (2) Disconnect ambient air temperature sensor (Fig. 5).
- (3) Remove turbocharger solenoid bracket mounting screws (Fig. 5). Reposition turbocharger solenoid bracket.
- (4) Disconnect make-up air hose from the side of air cleaner housing.
- (5) Dislodge wiring harness clips on the side of the air cleaner housing.
- (6) Remove air cleaner housing mounting screw and nut (Fig. 5).
- (7) Pull air cleaner housing straight up to remove.



**Fig. 5 Air Cleaner Housing Mounting**

- 1-CLEAN AIR HOSE
- 2-SOLENOID MOUNTING BRACKET SCREWS
- 3-AMBIENT AIR TEMPERATURE SENSOR
- 4-AIR CLEANER HOUSING MOUNTING NUT
- 5-AIR CLEANER HOUSING MOUNTING SCREW

**INSTALLATION**

- (1) Install air housing. Make sure that it is on the battery tray tab in the back and on the stud on the side.
- (2) Install the nut and screw for air cleaner housing (Fig. 5). Tighten fasteners to 7.3 N-m (65 in. lbs.).
- (3) Insert wiring harness clips on the side of the air cleaner housing.
- (4) Connect make-up air hose to the side of air cleaner housing.
- (5) Install turbocharger solenoid bracket mounting screws (Fig. 5).
- (6) Connect ambient air temperature sensor (Fig. 5).
- (7) Connect clean air hose to air cleaner housing (Fig. 5).